

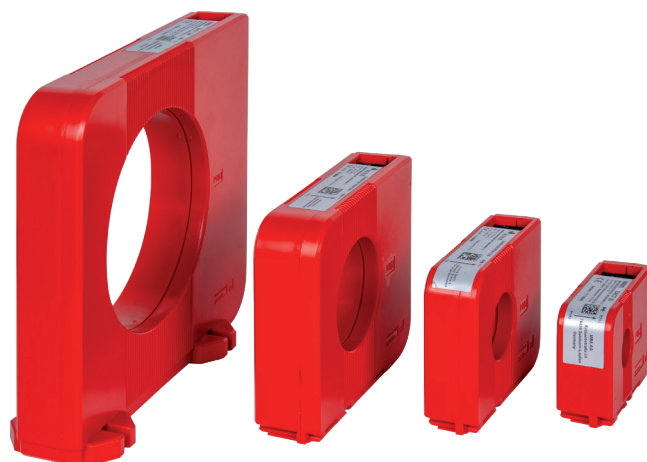
## Residual current transformer type A of the "DACT" series for residual current detection in earthed AC networks

### Description

The bushing-type residual current transformer of the "DACT" series type A detect very small currents. In conjunction with our device variants SINEAX DM5000, AMx000, CENTRAX CUx000 and LINAX PQx000, they can be used for residual and fault current monitoring of machines and plants.

### Properties

- Highly sensitive current sensor for detecting smallest fault currents
- Simple connection via 4-pole WAGO® spring-type terminal
- High safety, thanks to integrated overvoltage protection
- Flexible use due to a large frequency range
- Easy and quick mounting



### Technical data

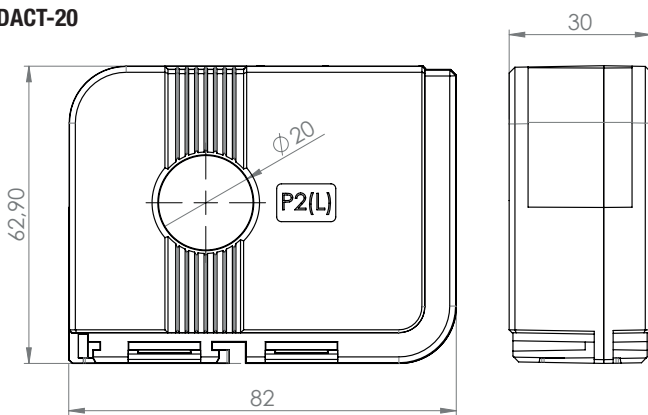
	DACT-20	DACT-35	DACT-60	DACT-120
Primary conductor opening	Ø 20 mm	Ø 35 mm	Ø 60 mm	Ø 120 mm
Width / Height / Depth	82 / 63 / 30 mm	104.5 / 86.5 / 30 mm	135 / 117 / 37 mm	210 / 191.5 / 37 mm
Primary rated current $I_{pn}$	10 A			
Secondary rated current $I_{sn}$	0.0167 A			
Ratio	1:600			
Rated burden	180 Ω / 50.2 mW			
Accuracy class	1			
Thermal rated short-time current $I_{th}$	60 x $I_{pn}$ / 1 s			
$R_{ct}$ (75 °C)	5 ... 8 Ω			
Rated voltage	800 V			
Rated surge voltage	8 kV			
Pollution degree	3			
Operating frequency	30 Hz ... 3 kHz			
Rated insulation level $U_m$	0.72 kV			
Insulation class	E			
Secondary surge protection	Suppressor diode P6KE68VA (integrated)			
Test voltage	3 kV; 50 Hz; 1 min.			
Housing protection class	Housing: IP40; Terminal: IP20			
Terminal connections	Spring-loaded terminals, WAGO terminal 741-901; 4pole; 0,08...2,5mm <sup>2</sup> Stripping length of the connecting wires: 5...6mm			

# Residual current transformer type A of the "DACT" series for residual current detection in earthed AC networks

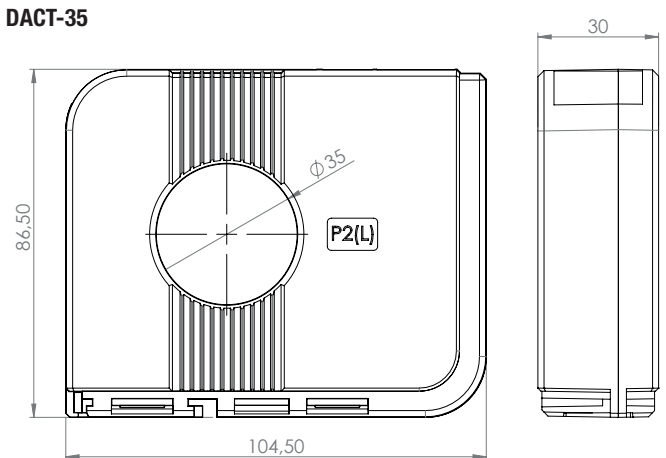
	DACT-20	DACT-35	DACT-60	DACT-120
Housing material	Coycoloy C2100HF; RAL 3020			
Flammability class	UL94 V-0, self-extinguishing, non-dripping, halogen-free			
Weight	approx. 145 g	approx. 240 g	approx. 390 g	approx. 950 g
Operating temperature	-10 °C ... +70 °C			
Storage temperature	-25 °C ... +70 °C			
Applied standards	IEC 60664-1; IEC 60664-3;			
Article-No.	181230	181248	181256	181264

## Dimensions

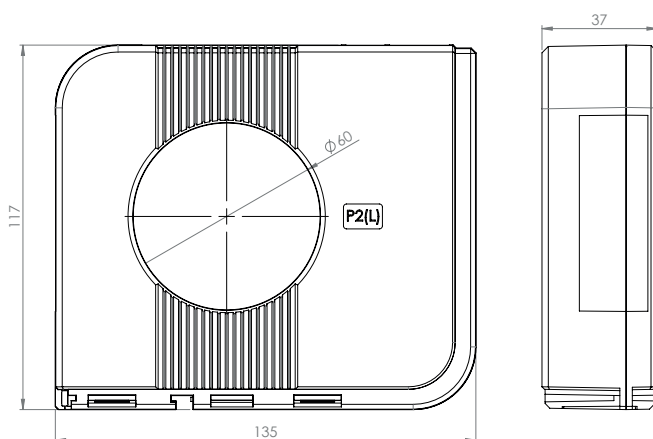
**DACT-20**



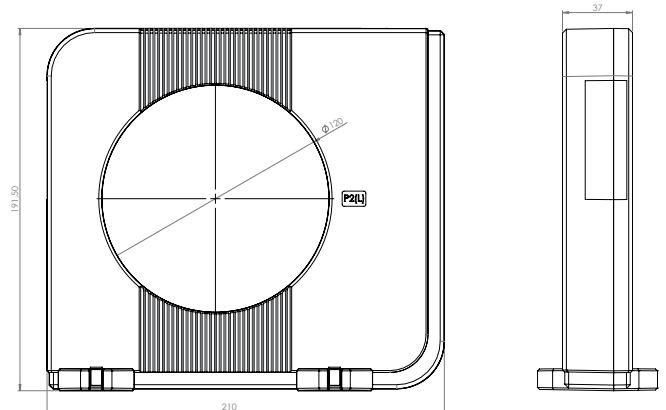
**DACT-35**



**DACT-60**



**DACT-120**



 **CAMILLE BAUER**

Camille Bauer Metrawatt AG  
Aargauerstrasse 7  
CH-5610 Wohlen / Switzerland  
Telefon: +41 56 618 21 11  
Telefax: +41 56 618 21 21  
info@camillebauer.com  
www.camillebauer.com